

1

2

3

4

5

6

RevNo

Revision note

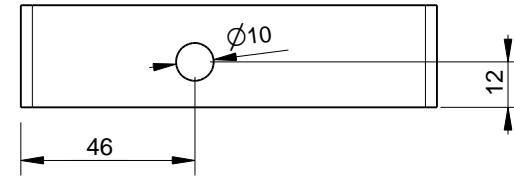
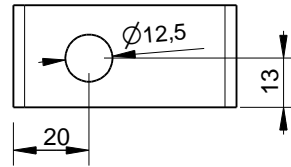
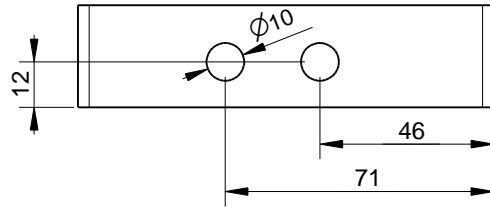
Date

Signature

Checked

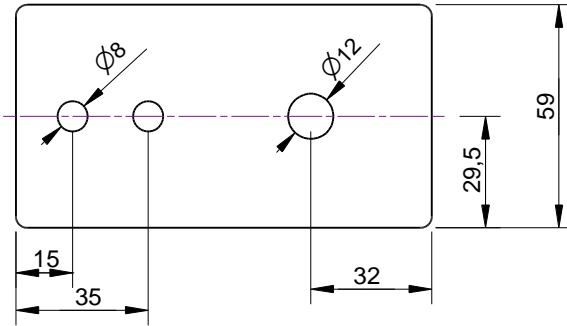
A

A



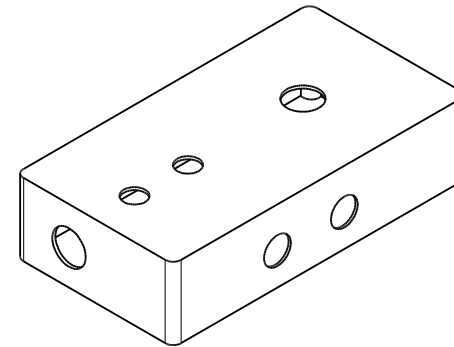
B

B



C

C



D

D



B 1FS, 3 Jacks, 2 LED

1

2

3

4

5

6

Edition

Sheet