

1

2

3

4

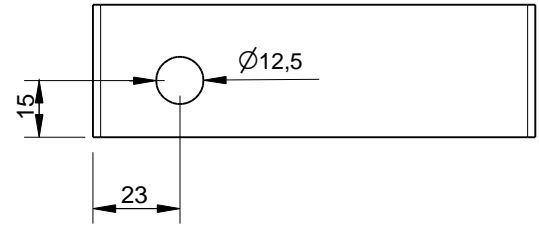
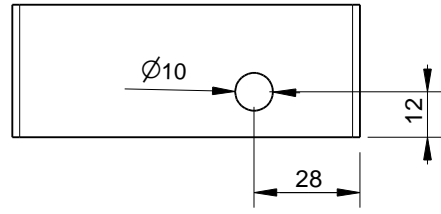
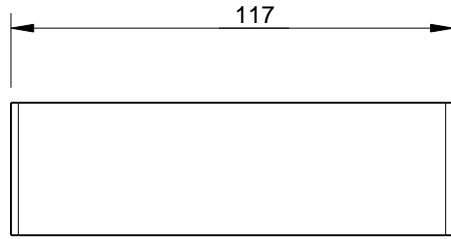
5

6

RevNo	Revision note		Date	Signature	Checked
-------	---------------	--	------	-----------	---------

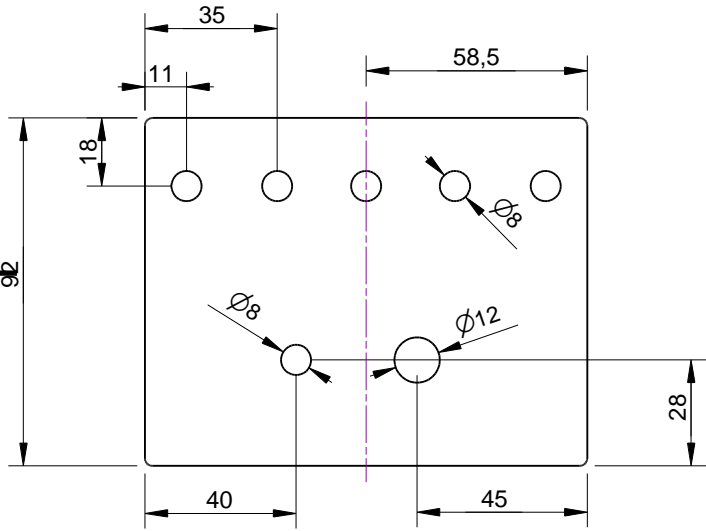
A

A



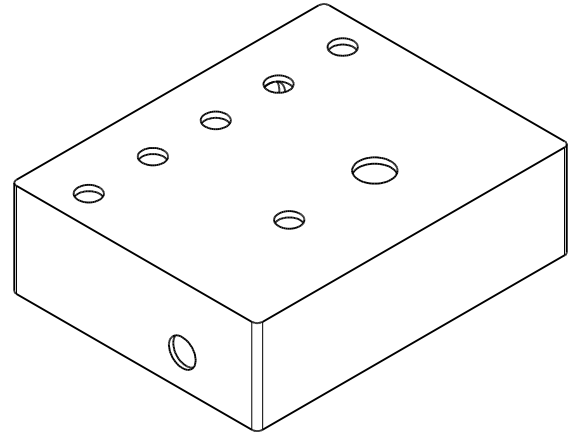
B

B



C

C



D

D



BB 5 Potentiometer

	Edition	Sheet
--	---------	-------

1

2

3

4

5

6