

1

2

3

4

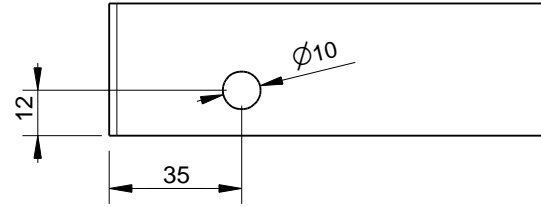
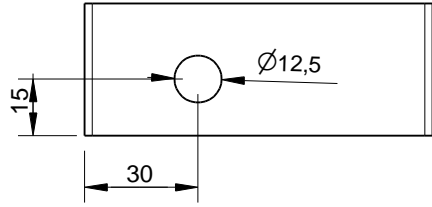
5

6

RevNo	Revision note		Date	Signature	Checked
-------	---------------	--	------	-----------	---------

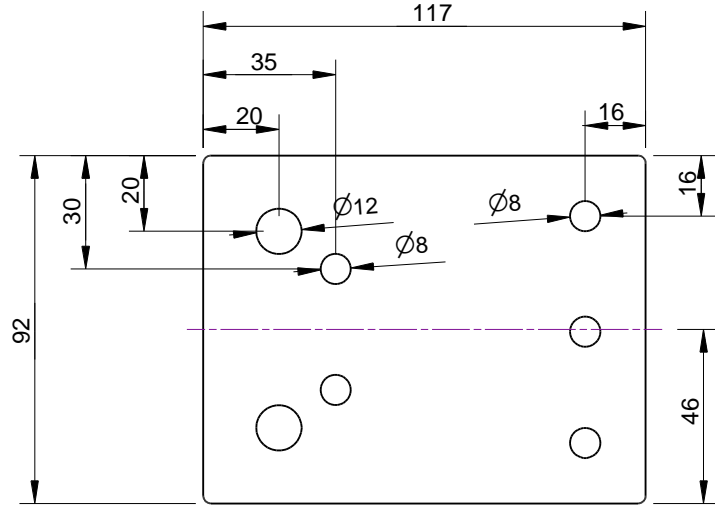
A

A



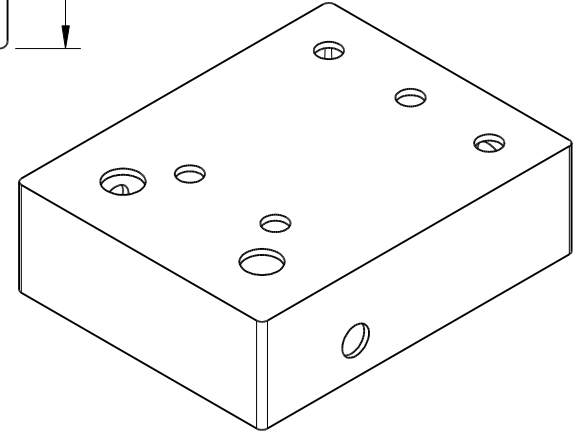
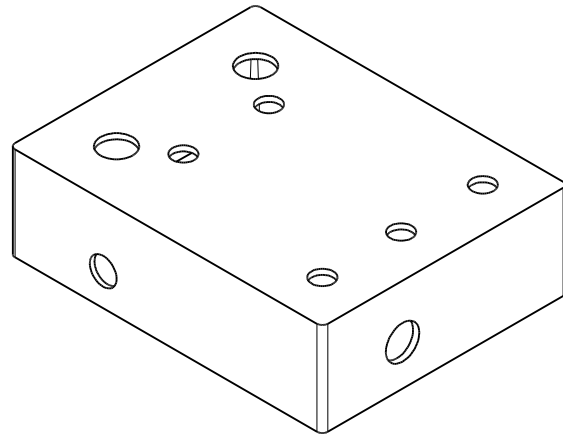
B

B



C

C



D

D



BB 2 FS, 2 LED, 3 Potentiometer

Edition	Sheet
---------	-------

1

2

3

4

5

6