

1

2

3

4

5

6

RevNo

Revision note

Date

Signature

Checked

A

A

B

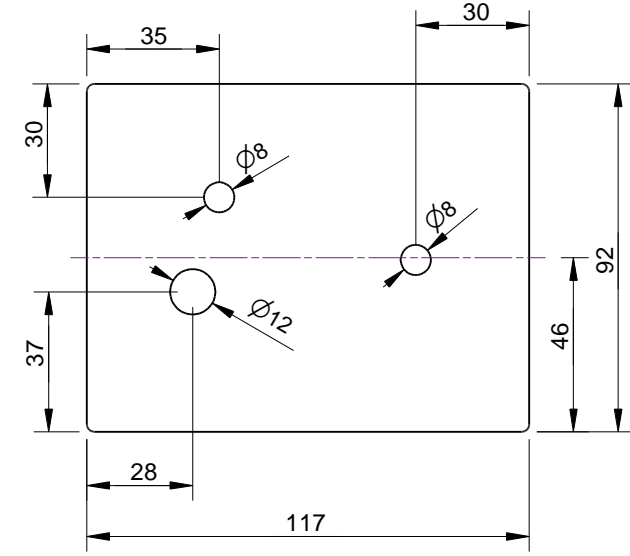
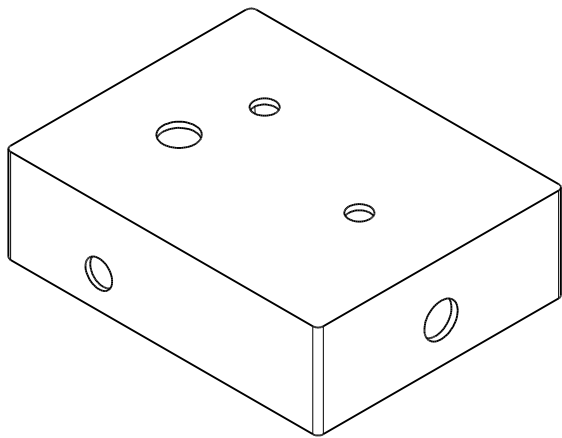
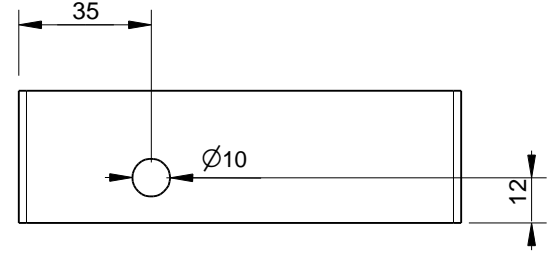
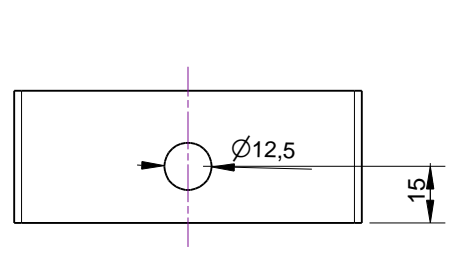
B

C

C

D

D



BB 1 Potentiometer

Edition

Sheet

1

2

3

4

5

6